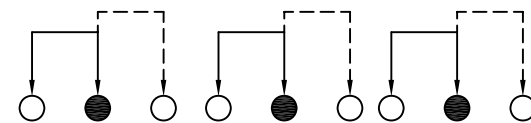
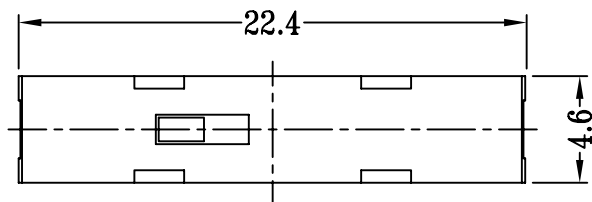
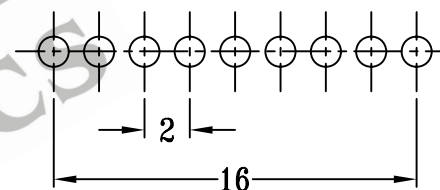
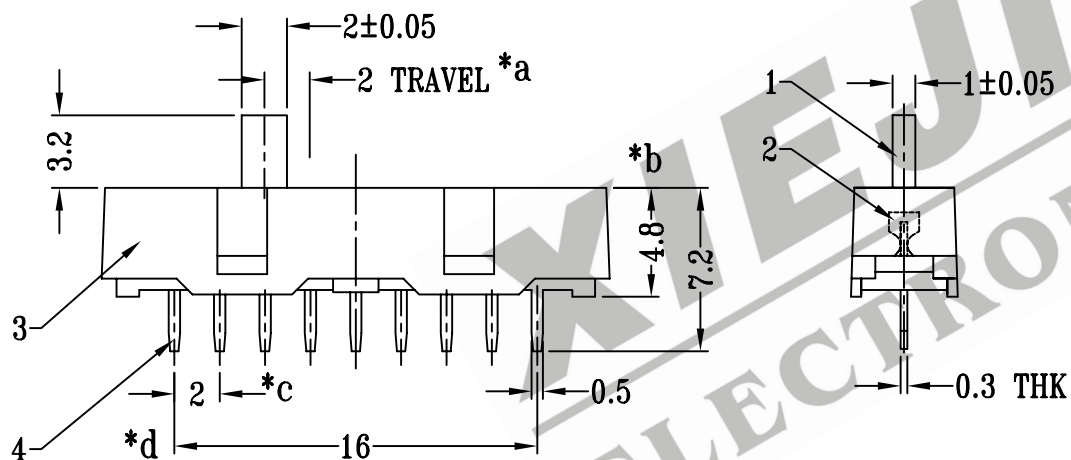


CAD FILE:



SCHMATIC



P.C.B LAYOUT

注:带"*"表示关键尺寸(4个)

8					TOLERANCE UNLESS SPECIFIED	SHENZHEN XIEJIA ELECTRONICS CO.,LTD.				
7										
6					WITHIN: 1.5±0.1mm	ISSUE	DATE	DESCRIPTIONS		APPD.
5					OVER : 1.5±0.2mm					
4	CASE	NYLON/BRASS STRIP	1	YELLOW/Ag PLATED	TITLE : MINI SLIDE SWITCH		UNIT : MM	DRWG NO.: XJ-DR-MS32D01-00		
3	COVER	PC	1	BLACK			MODEL: MS-32D01		SCALE: 3 : 1	DWN.
2	CONTACT CLIP	POM	1	WHITE	CHK'D	FANGYING				2005-8-27
1	KNOB	PBS C5210R-EH	3	Ag CLAD	ALL MATERIALS MUST BE COMPLIANT TO ROHS		APPD.	KANGXINAN	2005-8-27	
NO.	PART NAME	MATERIAL	Q'TY	FINISHING						